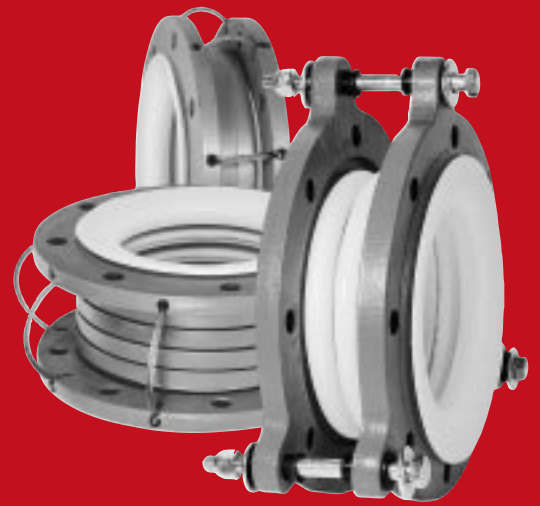


PROCO™

SERIES

440



molded PTFE expansion joints

The PROCO Series 440 PTFE Molded Expansion Joints are used for corrosive applications found in: Chemical-Petrochemical, Industrial Process Piping Systems, Power Generation Plants, Pulp/Paper Plants, Water-Wastewater Sewage and Pollution Control Systems where metallic joints/lap joints or PTFE & FEP-lined rubber expansion joints may have been previously used or specified. Specify PROCO Series 440 expansion joints for installation between anchor points or next to mechanical equipment such as: Absorption Machines, Blowers, Chillers, Fans, Graphite Heat Exchangers, Glass Lined Vessels, Pumps, and Exotic Alloy/Plastic/Glass Lined Piping Systems. The Series 440 expansion joints are designed to: (1) Absorb Pipe Movements/Stress, (2) Reduce System Noise, (3) Reduce Mechanical Vibration, (4) Compensate Alignment/Offset, (5) Eliminate Electrolysis, (6) Protect against Start-up/Surge Forces. Our history in the manufacture of expansion joint products dates back to 1930. When an engineered solution is needed to solve a piping problem, call PROCO.

Engineered For Your Application. The PROCO Series 440 PTFE expansion joints are available in 2, 3, and 5 convolutions. Each convolution profile offers different overall lengths (face-to-face dimensions), movements and pressure/temperature rating to fit the required specification. Available styles include:

- **Style 442-BD:** Features two convolutions for minimal movements, higher pressure/temperature ratings and short face-to-face opening requirements. Style 442-BD sizes range from 1" to 24" diameter. (See Table 1)
- **Style 442-E:** Features two convolutions, and is engineered with T-band compression limiters, limit cables (meets MIL-W-8342), and face-to-face lengths to be an exact equal to other more expensive, competitor models. Style 442-E sizes range from 1" to 12" diameter. (See Table 2)
- **Style 443-BD:** Features three convolutions and is designed for moderate movement and ease of system installation. Style 443-BD sizes range from 1" to 24" diameter. (See Table 3)
- **Style 443-E:** Features three convolutions, and is engineered with T-band compression limiters, limit cables (meets MIL-W-8342), and face-to-face lengths to be an exact equal to other more expensive, competitor models. Style 443-E sizes range from 1" to 8" diameter. (See Table 4)
- **Style 445-BD:** Features five convolutions, and is designed for maximum movements, low pressure/temperature ranges, vibration reduction and greater face-to-face lengths. Style 445-BD sizes range from 1" to 20" diameter. (See Table 5)
- **Style 445-E:** Features five convolutions, and is engineered with T-band compression limiters, limit cables (meets MIL-W-8342), and face-to-face lengths to be an exact equal to other more expensive, competitor models. Style 445-E sizes range from 1" to 6" diameter. (See Table 6)
- **Style 440-BE:** Features Styles' 440-E Neutral Lengths with Styles' 440-BD Limit Bolts. (See Table 7)

Absorbs Pipe-Wall and Fluid-Borne Noise. The quiet operating PROCO Series 440 PTFE expansion joints are a replacement for "sound transmitting" metallic/lap joints. Pipe Wall sound loses energy and is absorbed as the noise carried by the piping enters and exits the PTFE section. Fluid-borne noise is absorbed by the volumetric expansion (breathing of the connector). This action cushions water hammer and smoothes out pumping impulses.

Isolates Vibration and Motion. PROCO Series 440 PTFE expansion joints should be installed immediately after and ahead of equipment generating vibration in order to isolate the rotating/vibrating equipment from the rest of the piping system. For optimum performance, the PROCO Series 440 PTFE expansion joints should be installed horizontally to the shaft. Vertical and perpendicular installations are also acceptable as these expansion joints will accept axial, lateral and angular movements as well as vibration. Note: For maximum vibration transmission reduction, the pipe section beyond the PTFE expansion joints must be anchored or sufficiently rigid.

Reduces System Stress and Strain. Rigid attachment of piping to critical or mechanical equipment can produce excessive loading. Thermal or mechanically created strain-stress-shock are cushioned and absorbed with the installation of a flexible, low spring rate, PROCO Series 440 PTFE expansion joint. The PROCO Series 440 PTFE expansion joint adds a flexible component to the system that automatically self-corrects for misalignment created by structural movements caused by settling, pipe expansion or ground shifts.

Tested Force Pound and Spring Rate Tables. At PROCO we have machine tested nearly every size of the Series 440 PTFE expansion joints for Axial and Lateral Spring Rates and have provided Thrust/Force factors so designers can properly design system restraints. It should be noted that the PROCO Series 440 PTFE expansion joints are in accordance with the performance characteristics of the Fluid Sealing Association's Non-Metallic Expansion Joint Division.

Superior "Flex Life" and Strength. The PROCO Series 440 PTFE expansion joints are contour molded from extruded tubing providing superior "Flex Life" and Strength. Utilizing TEFLON® T-62 resins from DuPont, the PROCO Series 440 PTFE expansion joints provide dramatically more cycle life than that of PFA or FEP.

Flange and Limit Bolts/Cables. All PROCO Series 440 PTFE expansion joint flange configurations are coated with a rust inhibitive primer to prevent corrosion and are dimensionally tapped to ANSI 125/150# Standards. Hole drilling on center line, other drilling standards, or other flange materials, such as 316 stainless, 304 stainless, or Epoxy Coated flanges are available on special order. In addition, all PROCO Series 440 PTFE expansion joints are supplied with factory set limit bolts or cables to prevent over-extension during operation.

Chemical Service Capability at Minimal Cost. Expensive, exotic metal, PTFE or FEP lined rubber expansion joints for severe chemical service can be replaced with the low cost PROCO Series 440 PTFE expansion joints. The PTFE bellows are van stoned to the flanges which allows all wetted surfaces to come in contact with only the PTFE material. Specify the PROCO Series 440 PTFE expansion joints where high temperatures coupled with lower pressures or lower temperatures coupled with higher pressures are proposed. The PROCO Series 440 PTFE offers the lowest cost expansion joint that is impervious to chemical attack. Use the PROCO "Chemical to Elastomer Guide" for reference on chemical compatibility.

Services and Locations. PROCO Series 440 PTFE Expansion Joints have been supplied and successfully used by a range of customers worldwide in the process industries for use in both organic and inorganic chemical processing and production, including such demanding applications as agrochemical and pharmaceutical chemical production, acid processing and food manufacture.

Information • Ordering • Pricing • Delivery. Day or night, weekends and holidays...the PROCO phones are monitored 24 hours around the clock. When you have a question, you can call us.

Toll-Free Phone 800 / 344-3246 USA/CANADA

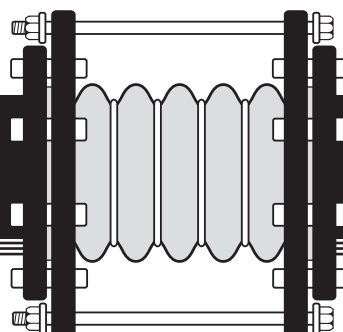
International Calls 209 / 943-6088

Fax 209 / 943-0242

Email sales@procoproducts.com

Website www.procoproducts.com

Weekday office hours are 5:30 a.m. to 5:15 p.m. Pacific Time.



**Protecting Piping And Equipment
Systems From Stress/Motion**

PROCO™

STYLE

442-BD

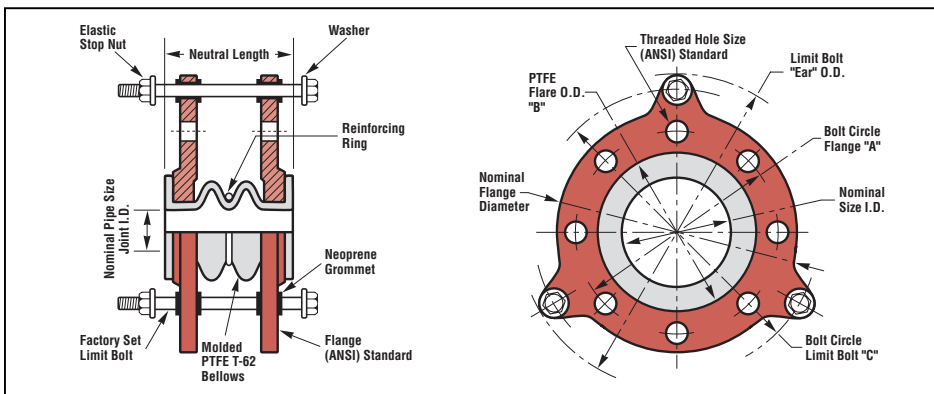


molded PTFE expansion joints

Table 1: Sizes • Movements • Spring Rates • Flange Standards • Temperatures • Vacuum • Weights

NOMINAL SIZE I.D.	NEUTRAL LENGTH INCHES	MOVEMENT CAPABILITIES BASED ON TWO CONVOLUTION DESIGN ¹			SPRING RATE CAPABILITY ²				EXPANSION JOINT FLANGE DRILLING								PRESSURE AT TEMPERATURE (PSIG) @ °F								VACUUM RATING ³	WEIGHT / LBS	
		± AXIAL (Δx) MOVEMENT	LATERAL (Δy) DEFLECTION	ANGULAR DEFLECTION	COMPRESSION SPRING RATE	EXTENSION SPRING RATE	LATERAL SPRING RATE	THRUST FACTOR	# HOLES	THREADED HOLE SIZE	BOLT CIRCLE FLANGE "A"	PTFE FLARE O.D. "B"	FLANGE THICKNESS	NOMINAL FLANGE O.D.	LIMIT BOLT DIAMETER	BOLT CIRCLE LIMIT BOLT "C"	LIMIT BOLT "EAR" O.D.	70°	100°	150°	200°	250°	300°	350°			400°
		IN	IN	DEG.	LB _y /IN	LB _y /IN	LB _y /IN																				
1.00	1.375	0.250	.125	7	104	80	104	2.76	4	1/2-13	3.125	2.000	.313	4.250	.250	5.125	6.000	185	170	148	130	115	100	84	68	29.9" @ 425°F	2
1.25	1.375	0.250	.125	7	61	137	400	2.25	4	1/2-13	3.500	2.520	.394	4.630	.250	5.196	6.850	185	170	148	130	115	100	84	68	CF	5
1.50	1.375	0.250	.125	7	320	180	224	4.60	4	1/2-13	3.875	2.875	.344	5.000	.250	5.875	6.750	185	170	148	130	115	100	84	68	29.9" @ 425°F	3
2.00	1.563	0.250	.125	7	512	300	240	7.07	4	5/8-11	4.750	3.625	.438	6.000	.375	6.875	8.125	185	170	148	130	115	100	84	68	29.9" @ 425°F	7
2.50	2.250	0.313	.125	7	457	278	328	9.62	4	5/8-11	5.500	4.125	.500	7.000	.375	8.125	9.375	185	170	148	130	115	100	84	68	29.9" @ 425°F	10
3.00	2.250	0.375	.188	7	648	320	319	15.90	4	5/8-11	6.000	5.000	.500	7.500	.375	8.750	10.000	185	170	148	130	115	100	84	68	29.9" @ 425°F	10
4.00	2.625	0.500	.250	7	480	280	400	23.75	8	5/8-11	7.500	6.188	.625	9.000	.375	9.875	11.125	185	170	148	130	115	100	84	68	29.9" @ 400°F	18
5.00	3.250	0.500	.250	7	440	440	320	33.17	8	3/4-10	8.500	7.313	.750	10.000	.500	11.500	13.000	185	170	148	130	115	100	84	68	29.9" @ 400°F	24
6.00	2.750	0.500	.250	7	440	386	440	50.24	8	3/4-10	9.500	8.500	.750	11.000	.500	12.500	14.000	185	170	148	130	115	100	84	68	29.9" @ 400°F	29
8.00	4.000	0.500	.250	7	450	390	480	83.49	8	3/4-10	11.750	10.625	.938	13.500	.500	14.750	16.250	164	150	129	112	100	87	73	60	29.9" @ 250°F	47
10.00	5.250	0.500	.250	7	760	600	580	108.38	12	7/8-9	14.250	12.750	1.000	16.000	.500	17.500	19.000	164	150	129	112	100	87	73	60	29.9" @ 250°F	64
12.00	6.000	0.500	.250	7	1300	420	700	176.63	12	7/8-9	17.000	15.000	1.000	19.000	.625	20.500	22.000	70	59	48	40	35	30	26	22	29.9" @ 75°F	115
14.00	6.313	0.750	.375	7	320	1056	1256	233.59	12	1-8	18.750	16.250	1.188	21.000	1.420	24.172	27.313	70	59	48	40	35	30	26	22	10.0" @ 212°F	126
16.00	7.000	1.000	.375	7	297	1096	1256	259.68	16	1-8	21.250	18.500	1.188	23.500	1.420	27.563	31.500	70	59	48	40	35	30	26	22	10.0" @ 212°F	159
18.00	7.938	1.000	.375	7	440	1941	1370	321.90	16	1 1/8-8	22.750	21.000	1.188	25.000	1.420	29.000	32.906	70	59	48	40	35	30	26	22	9.0" @ 212°F	174
20.00	9.000	1.000	.375	7	—	—	—	374.57	20	1 1/8-8	25.000	23.000	1.188	27.500	1.420	31.500	35.438	70	59	48	40	35	30	26	22	6.0" @ 212°F	183
24.00	6.313	0.625	.375	7	—	—	—	538.36	20	1 1/4-7	29.500	27.250	1.344	32.000	1.420	35.906	39.844	70	59	48	40	35	30	26	22	4.0" @ 212°F	238

NOTES: 1. Movements are non-concurrent and based from Neutral Length with Limit Bolts installed.
 2. Spring Rate Capability is based on 1" of movement at zero pressure conditions.
 3. Vacuum Rating is based from fully extended position. CF = Contact Factory.



SERIES 442-BD MATERIALS OF CONSTRUCTION		
DESCRIPTION	1" THROUGH 12"	14" THROUGH 24"
BELLOWS	PTFE T-62	PTFE T-62
FLANGES	DUCTILE IRON	ZINC PLATED CARBON STEEL
REINFORCING RINGS	STAINLESS STEEL	STAINLESS STEEL
LIMIT BOLTS	CARBON STEEL	CARBON STEEL
NUTS	CARBON STEEL	CARBON STEEL
GROMMETS	NEOPRENE	NEOPRENE
WASHERS	CARBON STEEL	CARBON STEEL

Installation Instructions for Series 440 PTFE Expansion Joints

TORQUE TABLE LISTING

SIZE I.D. (IN)	1.0	1.25	1.5	2.0	2.5	3.0	4.0	5.0	6.0	8.0	10.0	12.0
TORQUE (FT/LBS)	10	16	25	52	47	82	54	80	100	135	125	155
TOLERANCE (+/-)(FT/LBS)	2	3	6	13	11	20	13	20	24	32	31	38

Notes: 1. Bolt Torque requirements may vary depending on mating flange material and installation.
2. "Over-Torque" may cause the PTFE material to creep.

1. Service Conditions: Make sure the expansion joint ratings for temperature, vacuum, spring rates and movements match the system requirements. Contact PROCO if the system requirements exceed those of the expansion joint selected.

2. Alignment: PROCO Series 440 PTFE expansion joints are not designed to make up for piping misalignment error. Pipe misalignment should be no more than 1/8" in any direction. Misalignment of an expansion joint will reduce the rated movements and can cause stress of material properties, thus causing reduced service life.

3. Limit Bolt/Cable: Limit bolts and cables are factory set at the maximum allowable travel position to prevent over extension. Do not remove or alter nuts at any time. Damage or personal injury can result due to changes in limit bolt/cable settings.

4. Anchoring: Solid anchoring is required whenever the pipeline changes direction. PROCO Series 440 PTFE expansion joints should be located as close as possible to these anchor points. If an anchoring system is not used, any associated pressure thrust can cause excessive movement, ultimately damaging the expansion joint. **(It should be noted that the attached limit bolts/cables are designed to limit movement and are not designed to handle pressure thrust.)**

5. Pipe Support: Piping must be supported by hangers or anchors so expansion joints do not carry any pipe weight.

6. Personnel Protection: It is strongly recommended that spray shields be used for all hazardous service to protect against serious personal injury in the event of expansion joint failure. (Contact PROCO for spray shield information.)

7. Installation:

a. Store expansion joints with wood covers in-place to protect PTFE flange surfaces from damage until ready to install.

b. Check to make sure PTFE surfaces are clean and free of foreign sediment. Remove nicks, burrs and deep scratches with a fine emery cloth. If surface irregularities cannot be completely removed, install a PTFE envelope-type gasket to obtain an adequate seal.

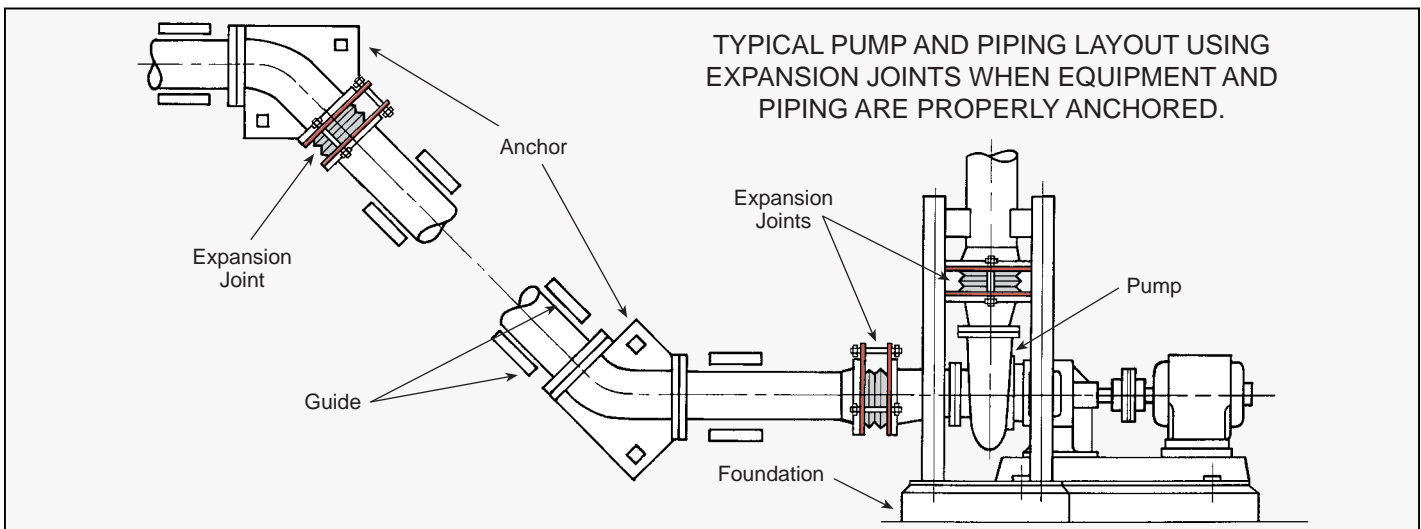
c. Install the PROCO Series 440 PTFE expansion joints to the prescribed neutral lengths. If expansion joints are used in high temperature processes, it is recommended that units be installed at/near the extended values. For cold process installations, expansion joints should be installed in a nearly compressed length. These settings will enable the expansion joint to realize full travel capabilities. (See appropriate Tables for Neutral Lengths.)

d. Thread installation bolts from mating flange side to prevent possible damage to PTFE elements. Extend bolts beyond the expansion joint flange by no more than 1-2 threads. Nuts are not necessary due to threaded flange holes.

e. Tighten flange bolts with a torque wrench. Tighten in an alternate crossing pattern in 20% increments until 80% of final bolt torques have been achieved. Tighten to final torque values (listed in Torque Table Listing) in a clockwise fashion around the flange to ensure bolts carry equal stress burdens.

f. Re-tighten bolts after first cycle of operation. Re-tighten as necessary after every planned maintenance shutdown. All bolts should be re-torqued to the above listed values.

8. Operations: After expansion joints are installed, it may be necessary to air blast the exterior to remove foreign debris, such as metal chips, from between the convolutions. The expansion joint should then be covered with a shield to protect from damage and foreign debris during operation. **(Note: Do not weld in immediate vicinity of expansion joint unless it is properly protected.)**



ENGINEERING DESIGN NOTES:

1. It is essential that piping system thrusts be calculated to ensure correct sizing of anchors and pipe supports, plus ensure that allowable thrust forces on adjacent mechanical and rotating equipment are not exceeded. Please use the following formulas:

$$T_p = P \cdot T_f$$

T_p is the pressure thrust (lb_f), P is the system operating pressure (Psig) and T_f is the thrust factor (or bellows effective area [in²]). The pressure thrust, T_p , will act in the axial direction and must be added to the axial spring force ($F_x \cdot \Delta x$) to give the total axial reaction force, R_x .

$$R_x = T_p + (F_x \cdot \Delta x)$$

R_x is the pipe support reaction force (lb_f), T_p is the pressure thrust (lb_f), F_x is the axial spring force of the unit and Δx is the expected or designed axial movement of the unit (See Tables 1-6).

2. It should be noted that axial spring rate values found in Tables 1 through 6 are based on an ambient temperature (70°F) and will decrease as the system temperature rises. In addition, spring rates decrease over time due to thermoplastic creep if units are operated under pressure.